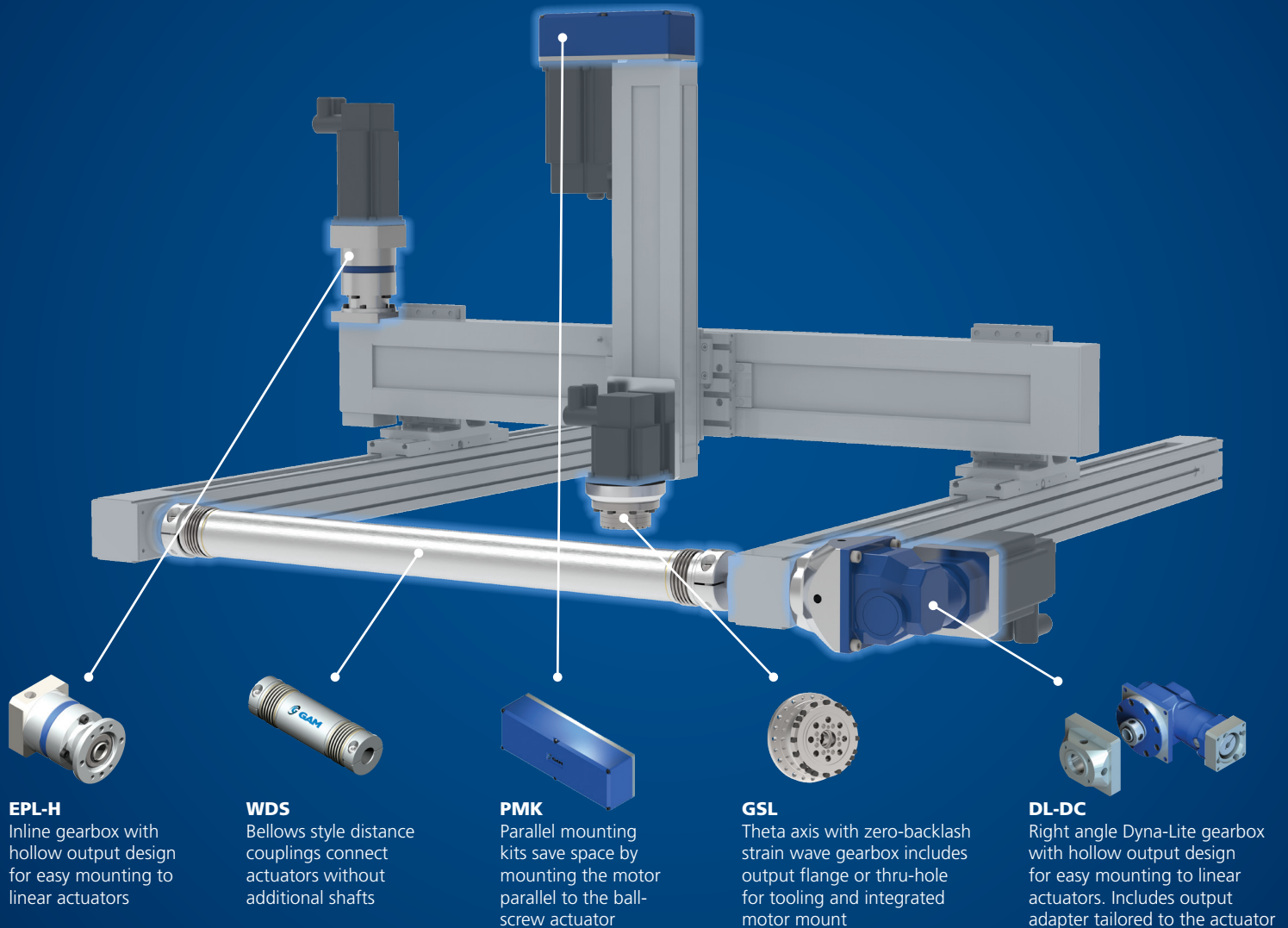


Build your own Cartesian System with GAM Linear Mount Products



EPL-H
Inline gearbox with hollow output design for easy mounting to linear actuators

WDS
Bellows style distance couplings connect actuators without additional shafts

PMK
Parallel mounting kits save space by mounting the motor parallel to the ball-screw actuator

GSL
Theta axis with zero-backlash strain wave gearbox includes output flange or thru-hole for tooling and integrated motor mount

DL-DC
Right angle Dyna-Lite gearbox with hollow output design for easy mounting to linear actuators. Includes output adapter tailored to the actuator

Everything Between the Motor and the Actuator



Simplify the process of designing and building your own cartesian systems with GAM's **Linear Mount Products**

Choose from a variety of inline and right angle gearboxes that connect directly to actuators, along with the necessary mounting adapters and couplings, to transform individual products into an integrated solution.